



罐阀 2.0 技术 2.0 TECHNOLOGY FOR TANK VALVE

升级2.0: 支耳双面焊接，使用再久也不会有液体残留导致发黄锈蚀，活节螺母更高，安装时敲打不易砸伤人孔盖，摆动螺栓与垫片一体成型后翻边，无需焊接。

Update 2.0: Double-welded lugs, and no corrosion spots. Hand nut with higher wings makes it easier to be fastened by hammers and without scratches. The washer and the swing bolt are cast together, not welded.

超低位人孔

MANLID

基本配置 Basic Details

500mm 超低位人孔盖组件

8点固定 8mm 厚的冲压颈圈适合不同罐体半径。接触货物的零件采用316不锈钢制造。不锈钢活节螺栓带有黄铜蝶形螺母。密封件单独提供。可选件3bar、4bar，6点、8点型。罐体半径范围：从50mm至 1300mm。带不锈钢蝶形螺母或低位不锈钢/黄铜合成螺母的不锈钢活节螺栓。可以安装铰链挡板，以调整打开角度。

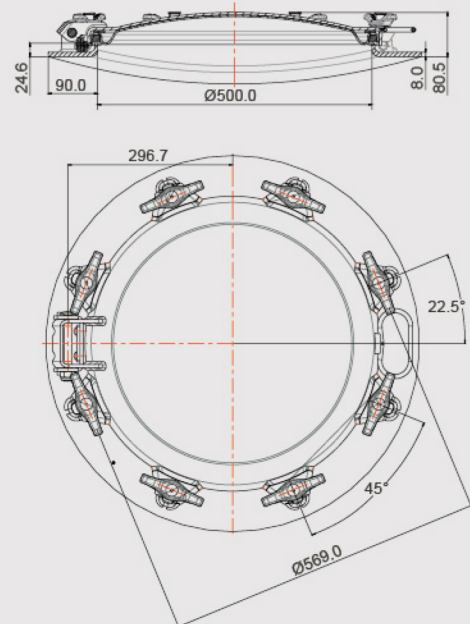
500mm Ultra Low Profile Manlid Assembly

8 points fastening. 8mm thick pressed neck/compensating ring profiled to suit tank radius. Contact parts manufactured in 316 stainless steel. Stainless steel swing bolts with naval brass handnuts. Seal supplied separately – 3 Bar 6 point version and 4 Bar 8 point version. Tank radius range from 850mm to 1300mm. Stainless steel swing bolts with either stainless steel handnuts or low profile stainless steel/brass composite handnuts. Cover hinge stop plate may be fitted to adjust opening angle.

规格 Specification

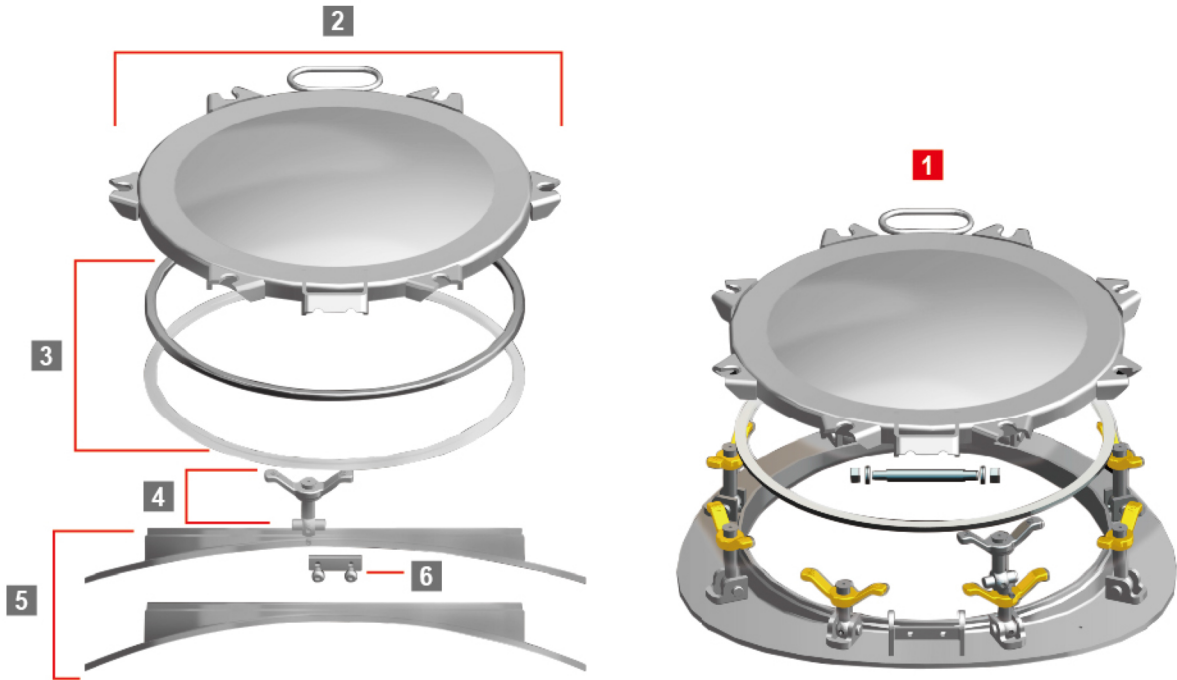
重量 Weight	40 KG
设计压力 Design Pressure (MAWP)	4 Bar (58 PSI)
测试压力 Test Pressure	6 Bar (87 PSI)
设计温度 Design Temperature	-40°C to 200°C (-55°F to 392°F)
设计标准 Design Standard	BS EN14025

FITTING DIMENSION



Example shown : E4C-8518025B

1 标准配置 Basic configuration



选装部件

OPTIONAL COMPONENTS

罐阀 2.0 技术
2.0 TECHNOLOGY FOR TANK VALVE

2 6/8 点式人孔组件 EXC-8518025B X=4;	2 6/8 points ;
3 各种材质的人孔密封圈, 详见单页说明;	3 Different seals for separately sales ;
4 纯不锈钢制/铜制/合成蝶形螺母;	4 STST/Brass/Combinedwingnuts 496-5XXX, 496-1XXX, 496-EXXX (XXX=Lenth长度);
5 不同适配罐体半径 E4C-85XX025B XX: 87 = 850 mm to 900 mm; 92 = 900 mm to 950 mm; 97 = 950 mm to 1005 mm; 04 = 1005 mm to 1075 mm;	5 For different tank radius E4C-85XX025B 11 = 1075 mm to 1145 mm; 18 = 1145 mm to 1220 mm; 20 = 1220 mm to 1300 mm
6 打开角组件, 135B(135度)或120B或150B可选	6 Different opening angle120B/135B/150B