

罐阀 2.0 技术

2.0 TECHNOLOGY FOR TANK VALVE

升级版2.0: 轴端弹簧垫片压力更大，使用寿命更长；手柄避让高度更高，出口端可接更大的连接法兰。

Update 2.0: Spring washer with higher stress and longer life; The handle is higher for bigger flange connected to the outlet.

法兰式气相阀

FLANGED AIR LINE VALVE

基本配置 Basic Details

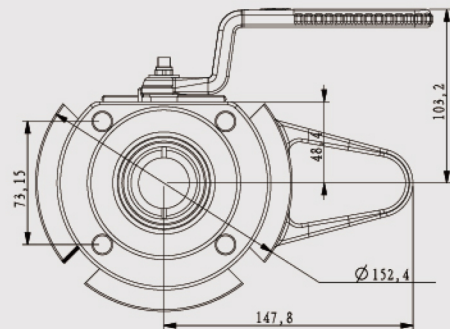
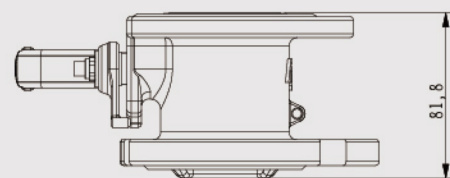
1.5" 法兰式空气阀，自带海关封。压力表可选配。接触货物的部分采用316不锈钢以及PTFE密封件。100目过滤网组件可选。

1.5" air line flanged ball valve. Complete with pressure gauge connection and TIR available with pressure gauge. Contact parts manufactured in 316 stainless steel with PTFE seals gauze filter.

规格 Specification

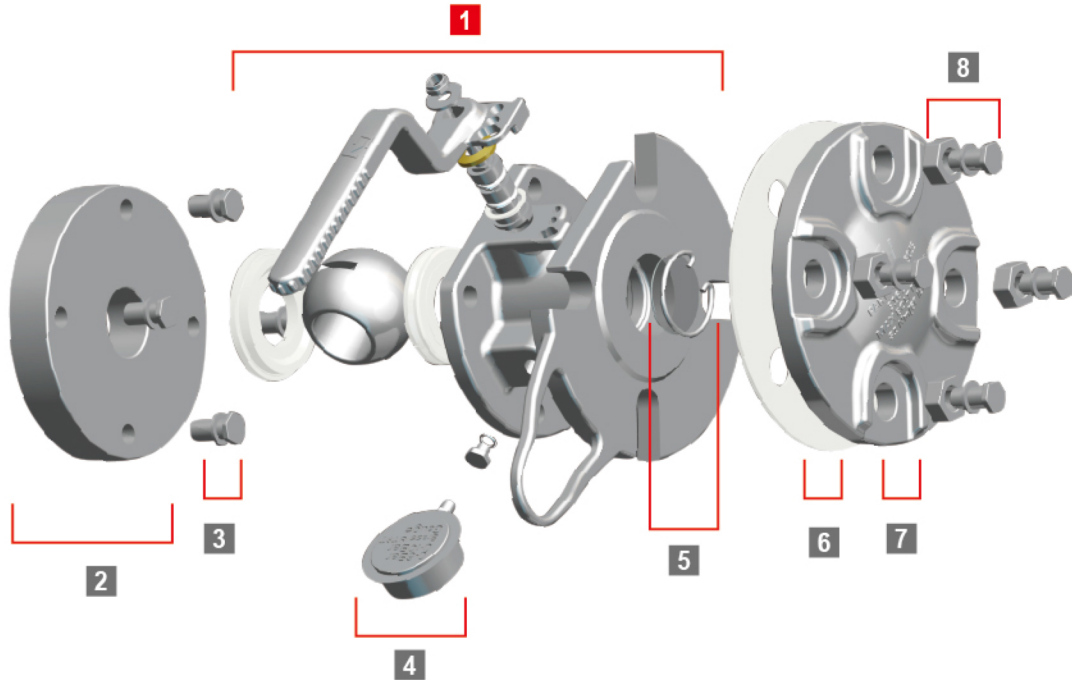
重量 Weight	6.7 KG
设计压力 Design Pressure (MAWP)	10 Bar (145PSI)
测试压力 Test Pressure	21.4 Bar (310 PSI)
设计温度 Design Temperature	-55°C to 205°C (-67°F to 392°F)

FITTING DIMENSION



Example shown :530-1100

1 标准配置 Basic configuration



选装部件

OPTIONAL COMPONENTS

罐阀 2.0 技术
2.0 TECHNOLOGY FOR TANK VALVE

2 标准罐体法兰350-0025;	2 Welding flange ;
3 350-1300罐体法兰连接螺栓包;	3 350-1300bolts kit for welding flange;
4 压力表, 各种规格可选, 0-7/10bar, 不锈钢/黄铜材质, 防震型, BSP/NPT螺纹接口可选, 详见压力表介绍;	4 STST/Brass material , anti shaking, BSP/NPT thread, 0-7/10 Bar;
5 滤网卡簧组件, 应用于颗粒(100目)过滤, 譬如食品医疗行业353-0010;	5 100" gauze filter, for food or medical industry;
6 纯PTFE垫片5005-348;	6 PTFE GASKET ;
7 精密铸造盲法兰530-8053CM;	7 Blind flange by casting ;
8 311-3500盲法兰螺栓包	8 311-3500 blind flange bolt kit