



### 罐阀 2.0 技术

2.0 TECHNOLOGY FOR TANK VALVE

**升级2.0:** 轴端弹簧垫片压力更大，使用寿命更长。

**Update 2.0:** Spring washer with higher stress and longer life.

## 螺纹式气相阀

### BSP AIR LINE VALVE

#### 基本配置 Basic Details

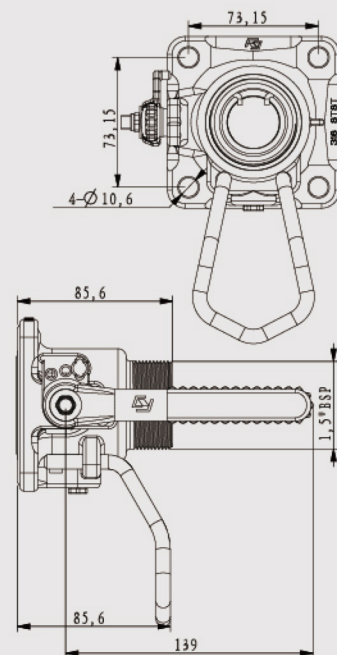
1.5" BSP出口空气阀，自带海关封。压力表可选配。接触货物的部分采用316不锈钢以及PTFE密封件。压力表保护架以及过滤网组件可选。

1.5" BSP male inlet air line ball valve. Complete with pressure gauge connection and TIR available with pressure gauge. Contact parts manufactured in 316 stainless steel with PTFE seals. Gauge guard and gauze filter.

#### 规格 Specification

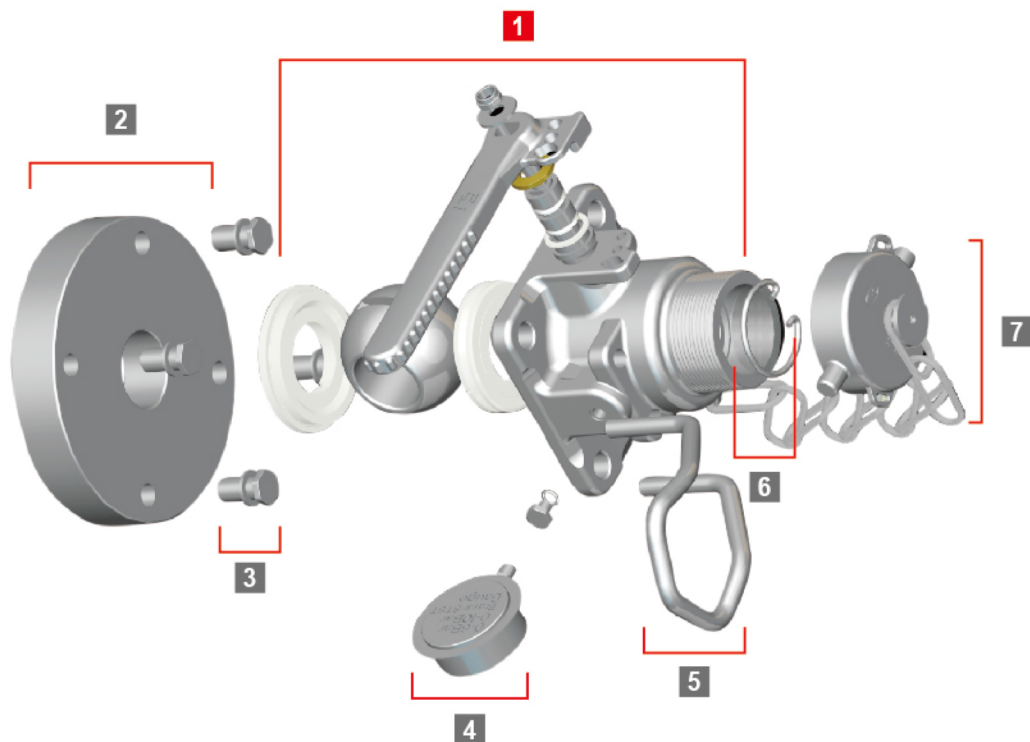
重量	Weight	2.8 KG
设计压力	Design Pressure (MAWP)	10 Bar (145PSI)
测试压力	Test Pressure	21.4 Bar (310 PSI)
设计温度	Design Temperature	-55°C to 205°C (-67°F to 401°F)

### FITTING DIMENSION



Example shown : 530-0000FG

## 1 标准配置 Basic configuration



### 选装部件

### OPTIONAL COMPONENTS

### 罐阀 2.0 技术

2.0 TECHNOLOGY FOR TANK VALVE

2 标准罐体法兰350-0025;	2 Welding flange;
3 350-1300罐体法兰连接螺栓包;	3 Bolt kit for flange;
4 压力表, 各种规格可选, 0-7/10bar, 不锈钢/黄铜材质, 防震型, BSP/NPT螺纹接口可选, 详见压力表介绍;	4 All kinds of gauges: STST/Brass material, normal /anti shaking, BSP/M thread, 0-7/10 Bar;
5 压力表保护架“G” 530-0040;	5 Gauge guard suffix “G”;
6 滤网卡簧组件, 应用于颗粒(100目)过滤, 譬如食品医疗行业 353-0010;	6 100" gauze filter, for food or medical industry;
7 1.5" 防尘盖10300PSI	7 Dust cap



## 压力表

### PRESSURE GAUGE

零件号 Part No.	说明	Description
921-07BBSP	0-7 bar (0-100 PSI) 压力表, 1/4"BSP连接, 黄铜材质, 填充甘油。	0-7 bar (0-100 PSI) Pressure Gauge, 1/4" BSP connection, brass internals, glycerine filled.
920-07BBSP	0-7 bar (0-100 PSI) 压力表, 1/4"BSP连接, 不锈钢材质, 填充甘油。	0-7 bar (0-100 PSI) Pressure Gauge, 1/4" BSP connection, STST, internals, glycerine filled.
921-10BBSP	0-10 bar (0-150 PSI) 压力表, 1/4"BSP连接, 黄铜材质, 填充甘油。	0-10 bar (0-150 PSI) Pressure Gauge, 1/4" BSP connection, brass internals, glycerine filled.
920-10BBSP	0-10 bar (0-150 PSI) 压力表, 1/4"BSP连接, 不锈钢材质, 填充甘油。	0-10 bar (0-150 PSI) Pressure Gauge, 1/4" BSP connection, STST, internals, glycerine filled.